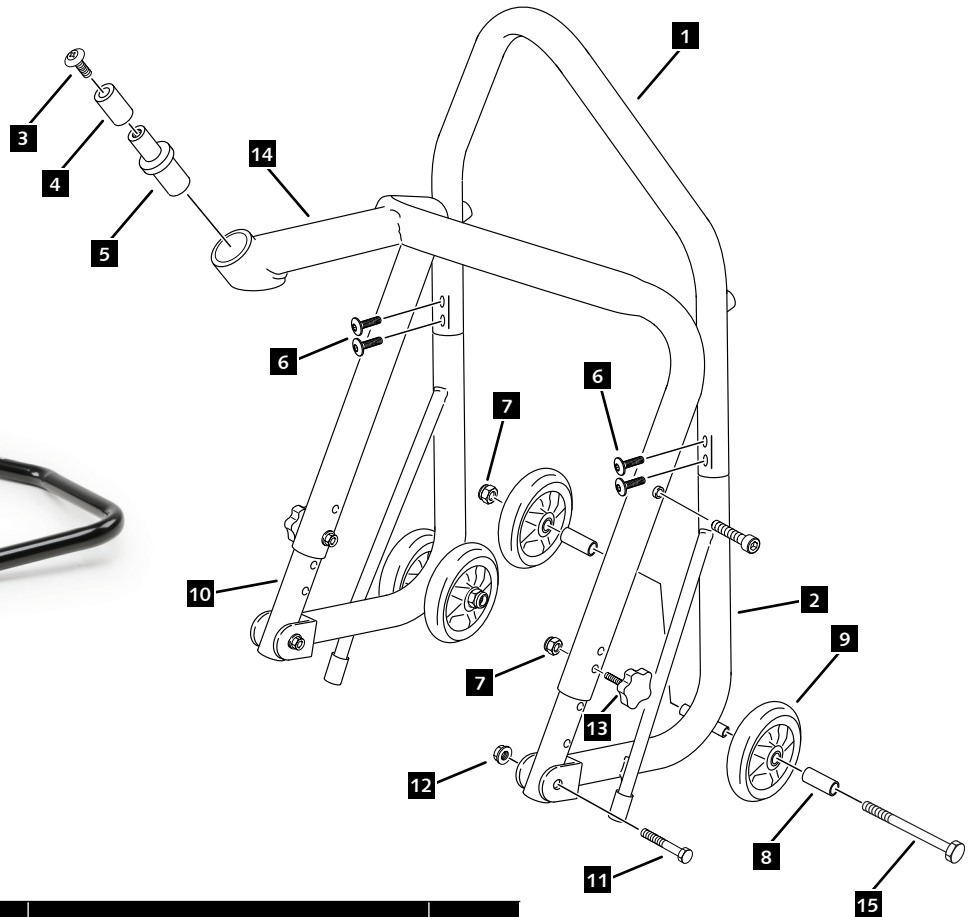


CABALLETE CENTRAL TIJA FRONT STAND

REF 5601N

M O U N T I N G I N S T R U C T I O N S



ID.	DESCRIPCIÓN	DESCRIPTION	QTY.
1	Soporte superior	Top support	1
2	Soporte inferior	Bottom support	1
3	Tornillo phillips M4x12	M4x12 phillips screw	1
4	Casquillo 35mm Ø15mm	35mm Ø15mm spacer	1
5	Pin	Pin	1
6	Tornillo allen M6	M6 allen screw	2
7	Tuerca autoblocante	Lock nut	4
8	Casquillo 27,5mm Ø8xØ10mm	27,5mm Ø8xØ10mm spacer	4
9	Rueda	Wheel	4
10	Guías reguladoras altura	Height regulable guides	2
11	Tornillo hex. M8x55	Hex. M8x55 screw	2
12	Tuerca DIN6923	DIN6923 nut	2
13	Perno M8x40	Bolt M8x40	2
14	Soporte tija	Yoke support	1
15	Tornillo M8x105	M8x105 screw	2