

UNIVERSAL

REF 22705N

**CABALLETE TRASERO DE MANIOBRAS PARA BASCULANTE CONVENCIONAL FM1
REAL PADDOCK STAND FOR CONVENTIONAL SWINGARM FM1**



| ID. | DESCRIPCIÓN | DESCRIPTION | QTY. | REF.: |
|-----|-----------------------|--------------------|------|-----------------|
| 1 | SOPORTE SUPERIOR | UPPER SUPPORT | 1 | CONJUNTO-22705N |
| 2 | SOPORTE INFERIOR | LOWER SUPPORT | 1 | CONJUNTO-22705N |
| 3 | Ruedas | Wheels | 3 | ----- |
| 4 | Tuerca | Nut | 3 | ----- |
| 5 | Tuerca M8 | M8 Nut | 4 | ----- |
| 6 | Tornillo M8x60 DIN931 | M8x60 DIN931 Screw | 2 | ----- |
| 7 | Arandela | Washer | 3 | ----- |
| 8 | Tornillo M8x50 DIN912 | M8x50 DIN912 Screw | 2 | ----- |
| 9 | Chapa sujeción | Subjection plate | 4 | ----- |
| 10 | Tornillo de retención | Retaining screw | 2 | ----- |
| 11 | Soporte de gancho | Hook | 2 | ----- |
| 12 | Base para basculante | Cup adaptors | 2 | ----- |

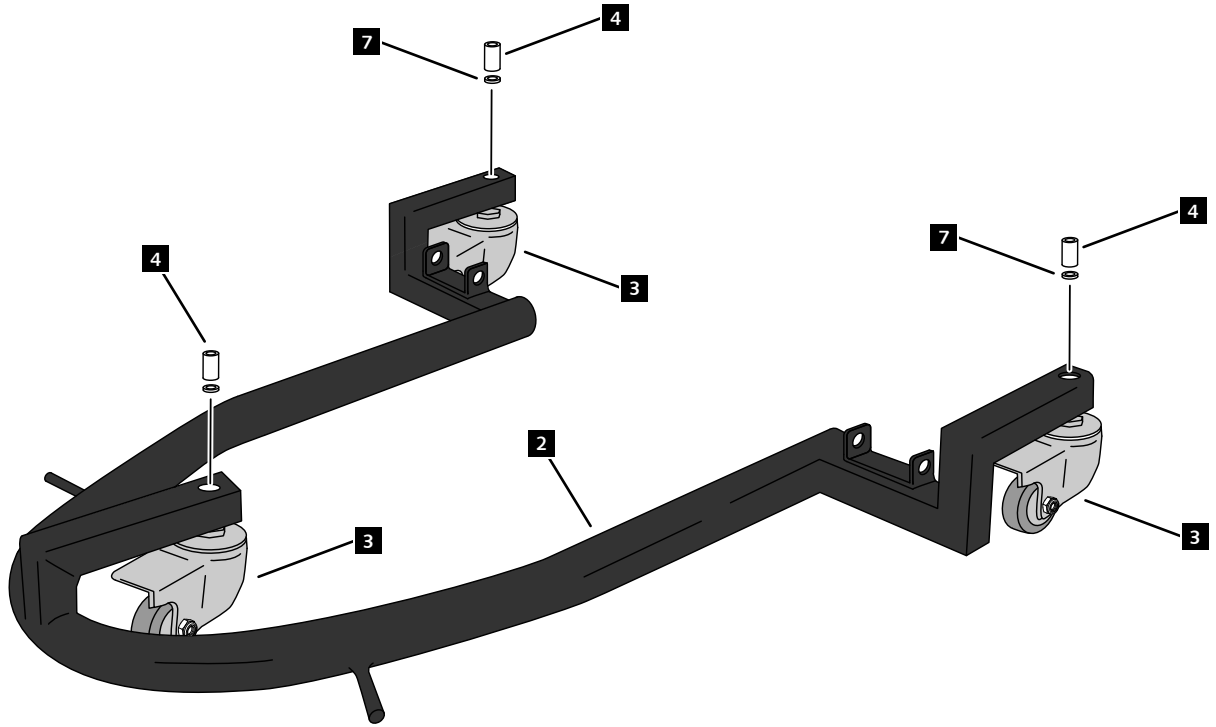
UNIVERSAL

REF
22705N

INSTRUCCIONES DE MONTAJE - MOUNTING INSTRUCTIONS - MONTAGEANLEITUNG

1

ASSEMBLY
MONTAJE



2

ASSEMBLY
MONTAJE

