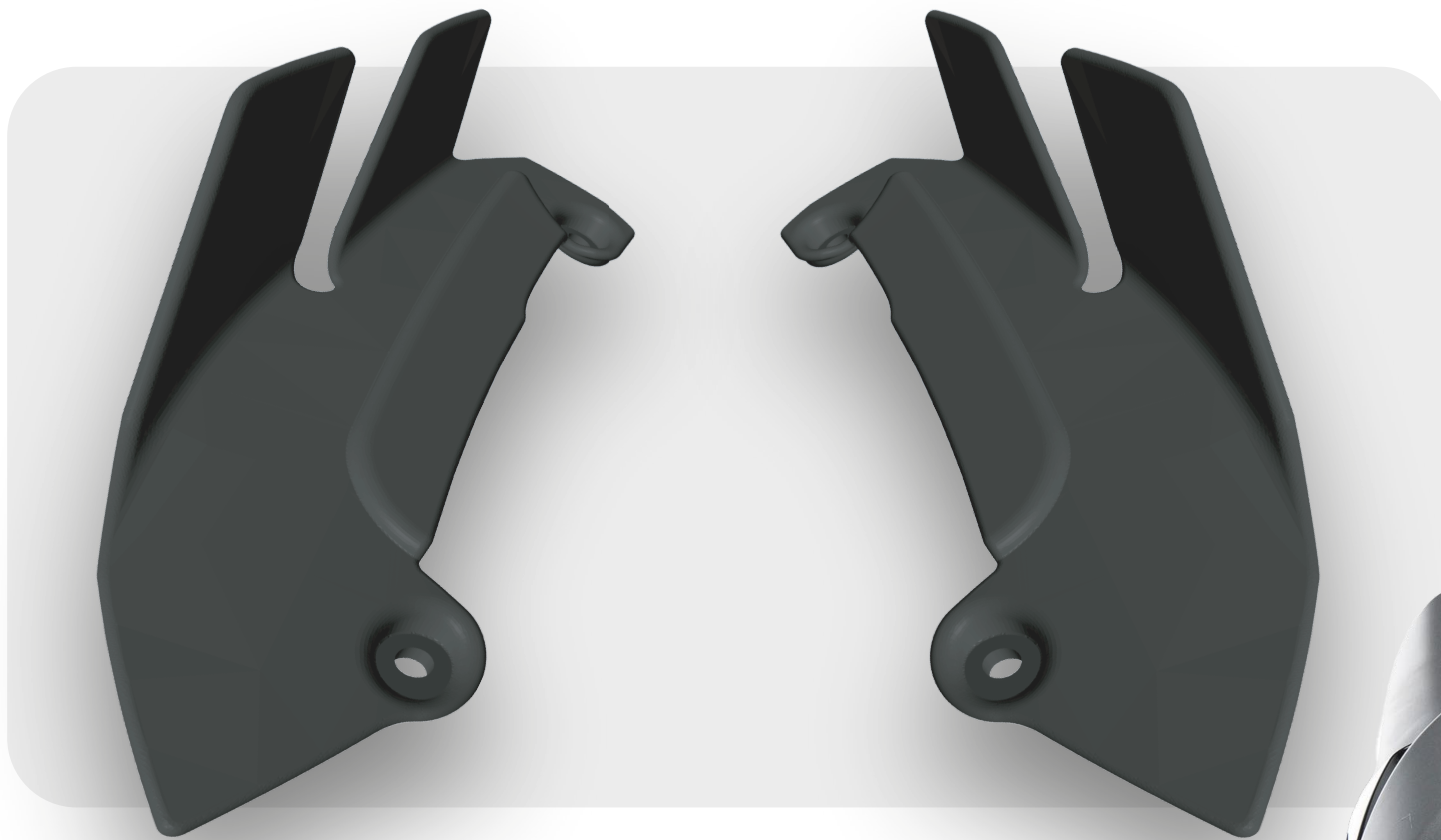
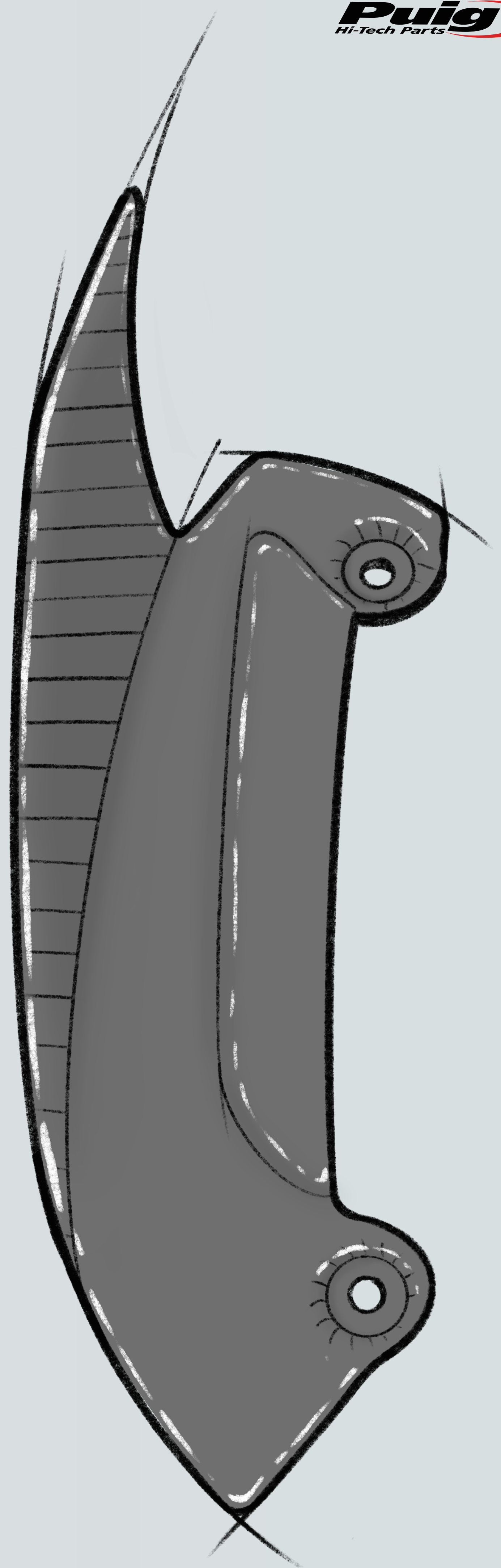
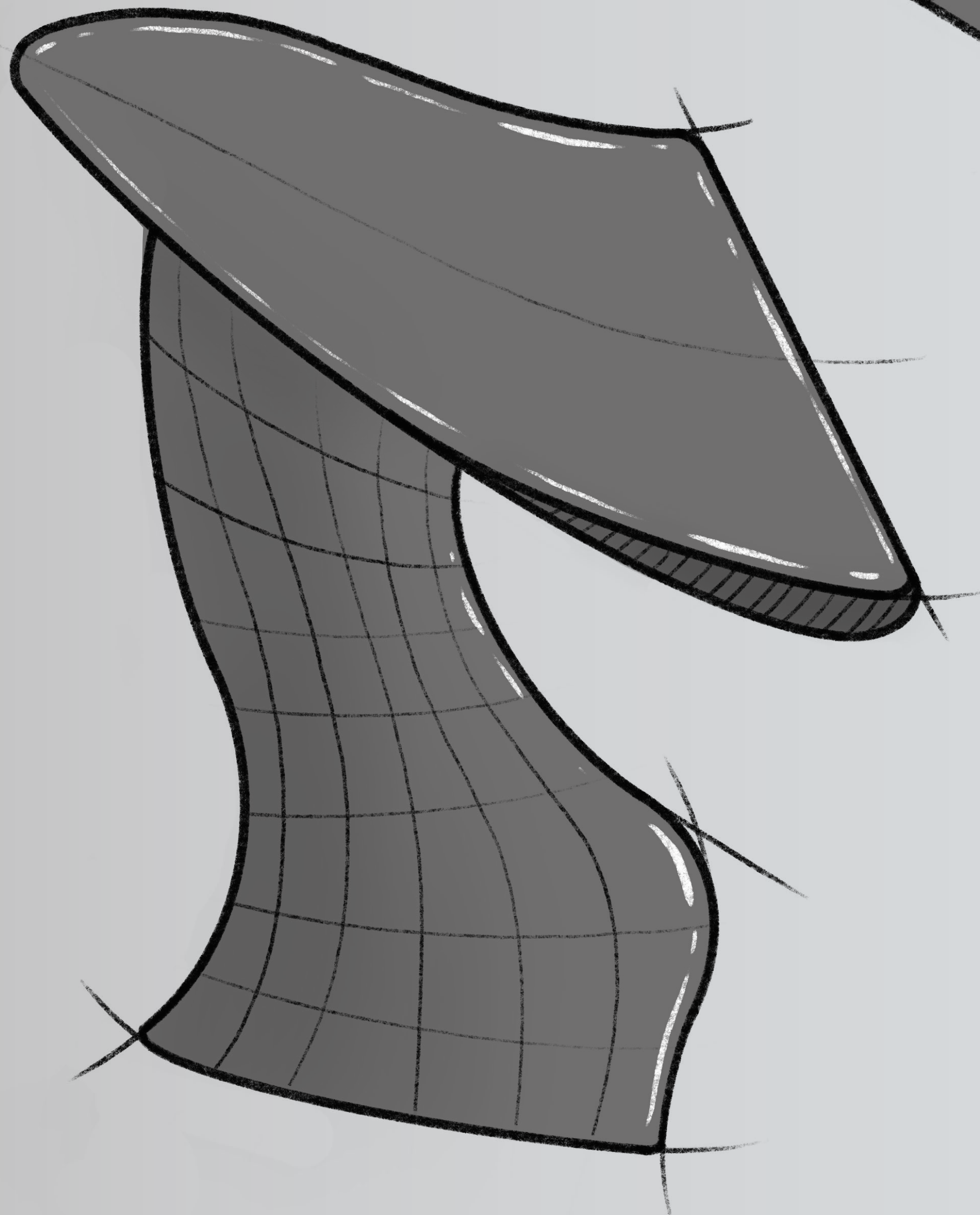
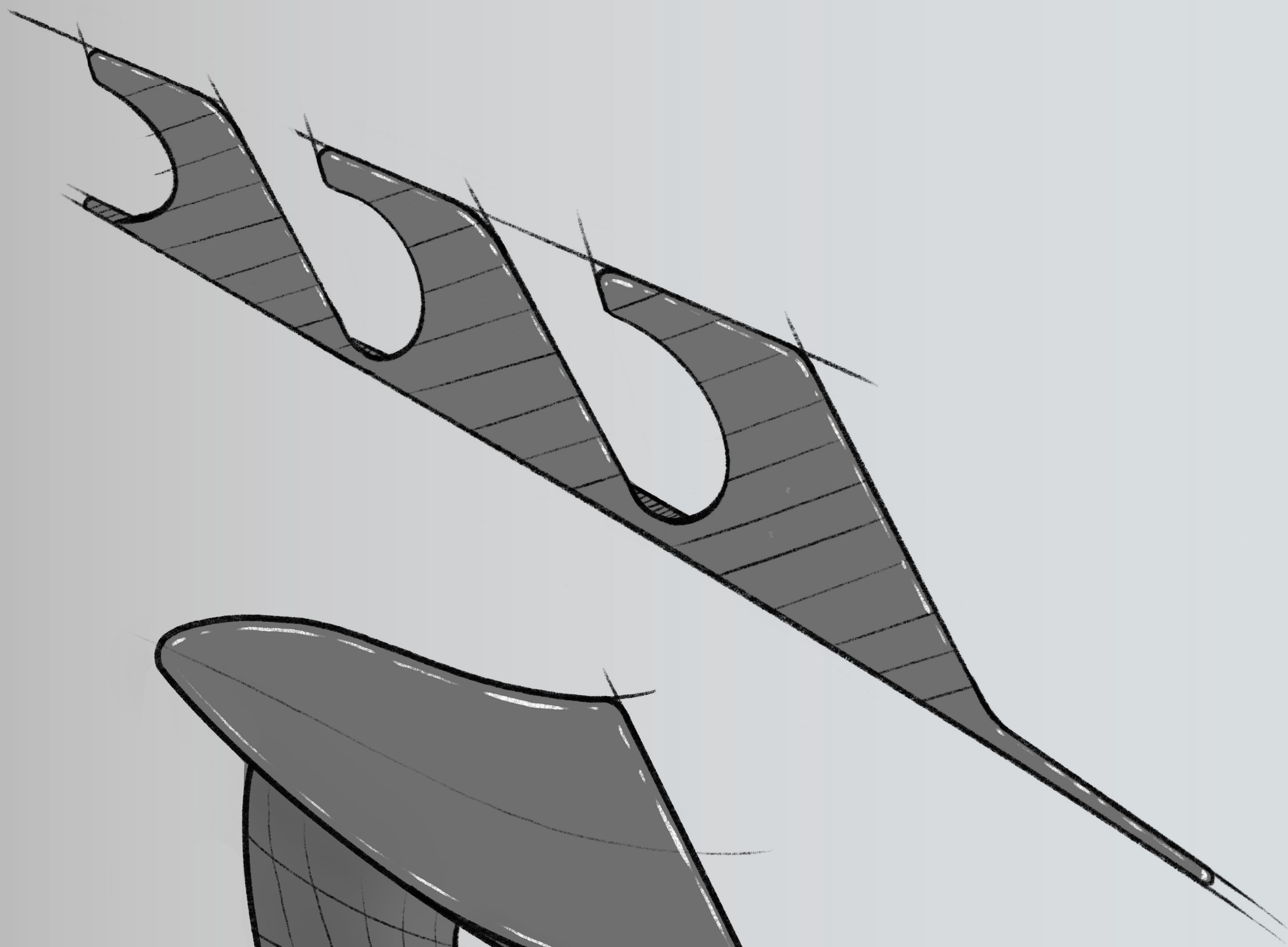
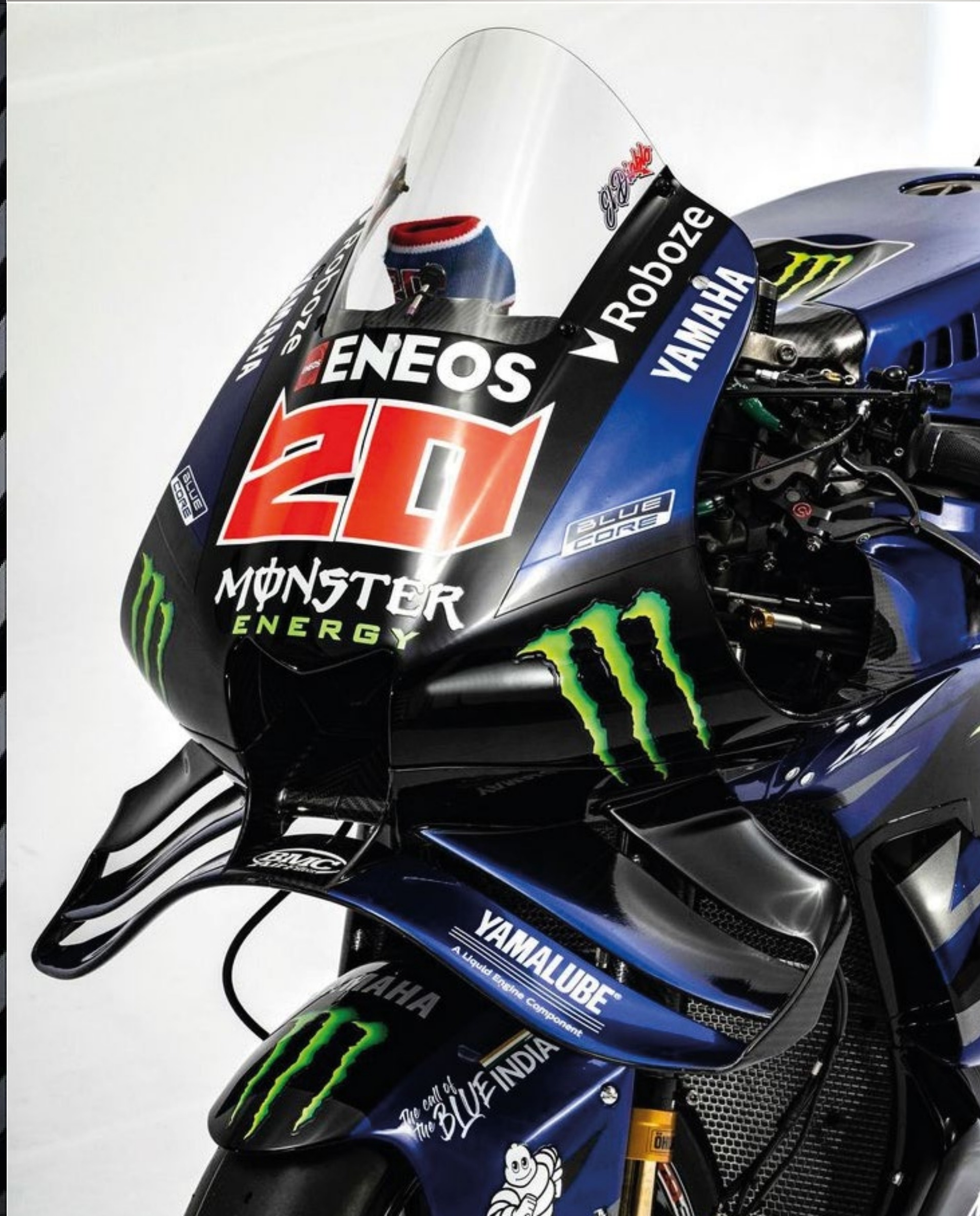


COWL SPOILERS

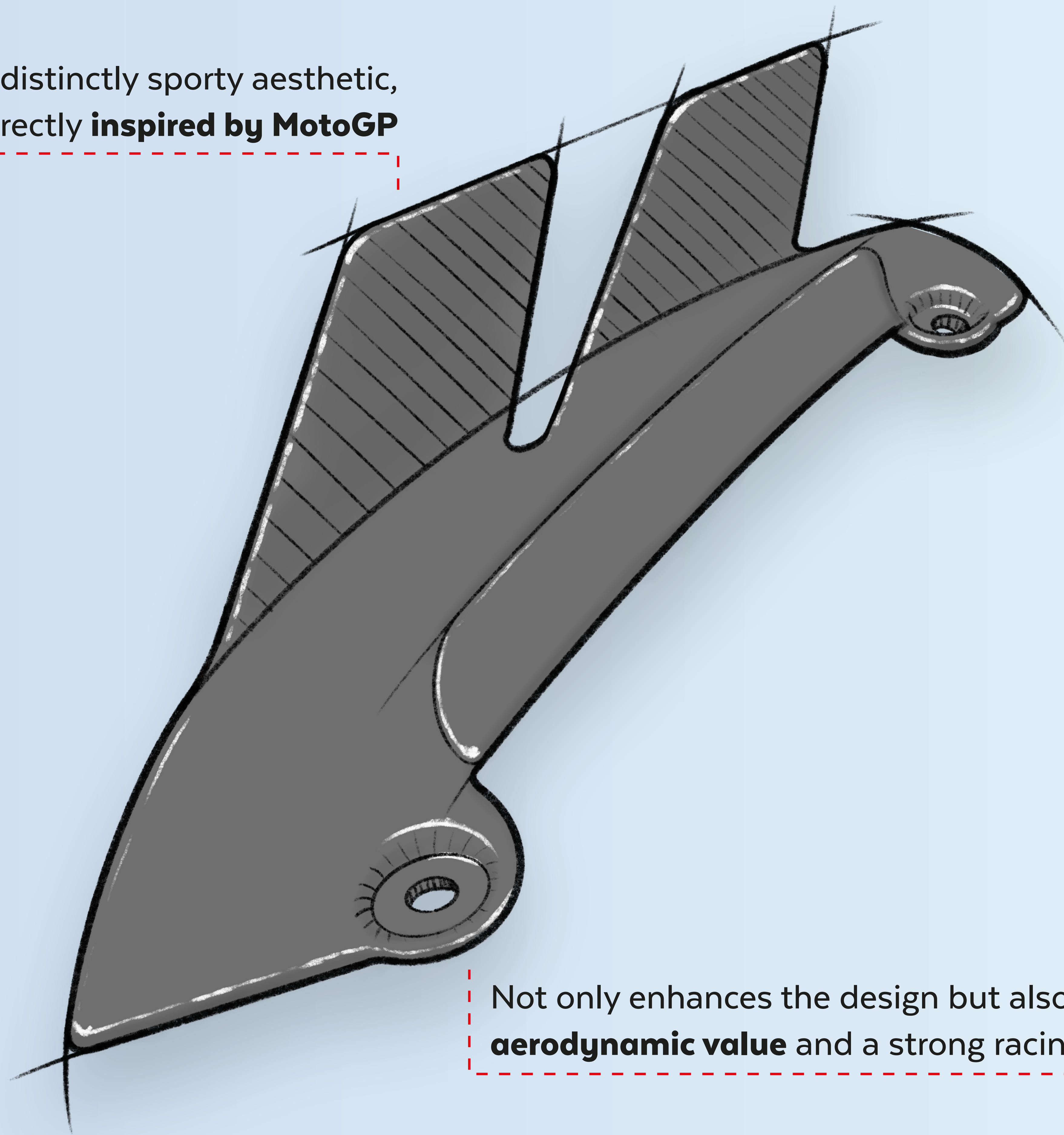
**YAMAHA TMAX 560 '22-
REF:22805**







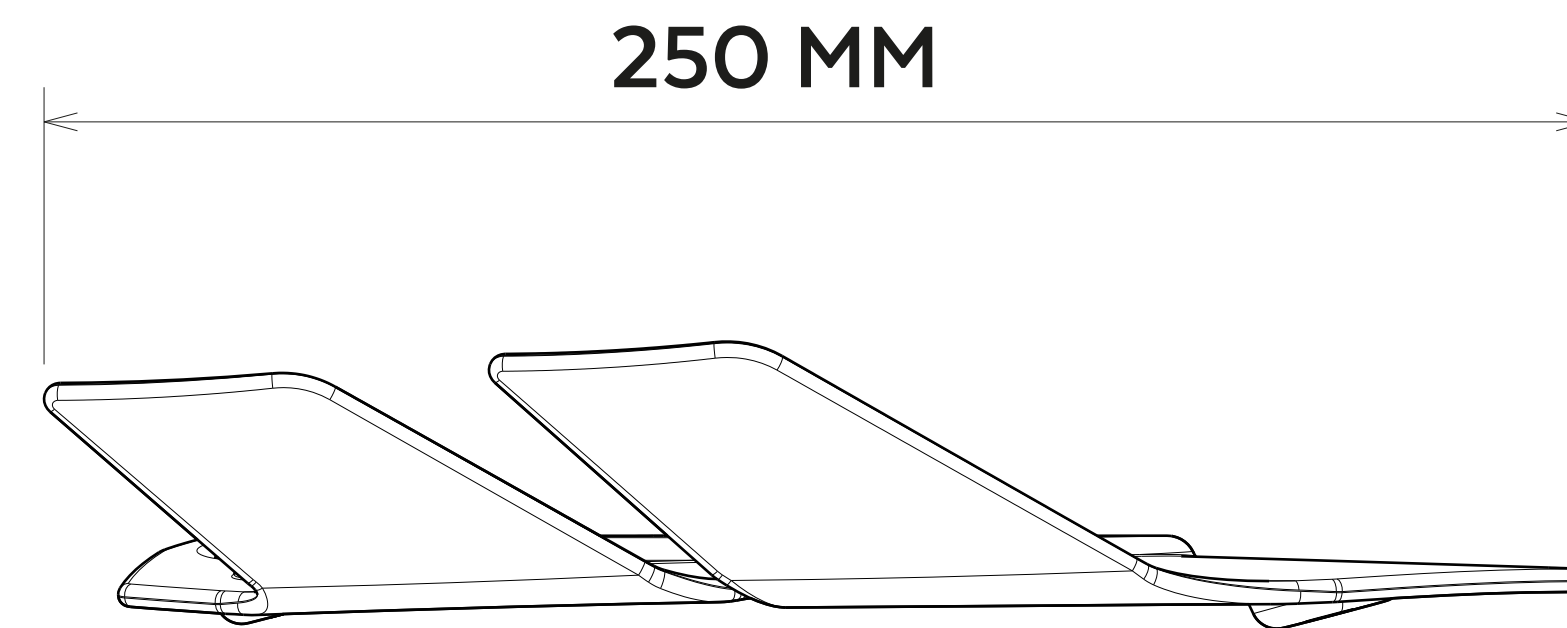
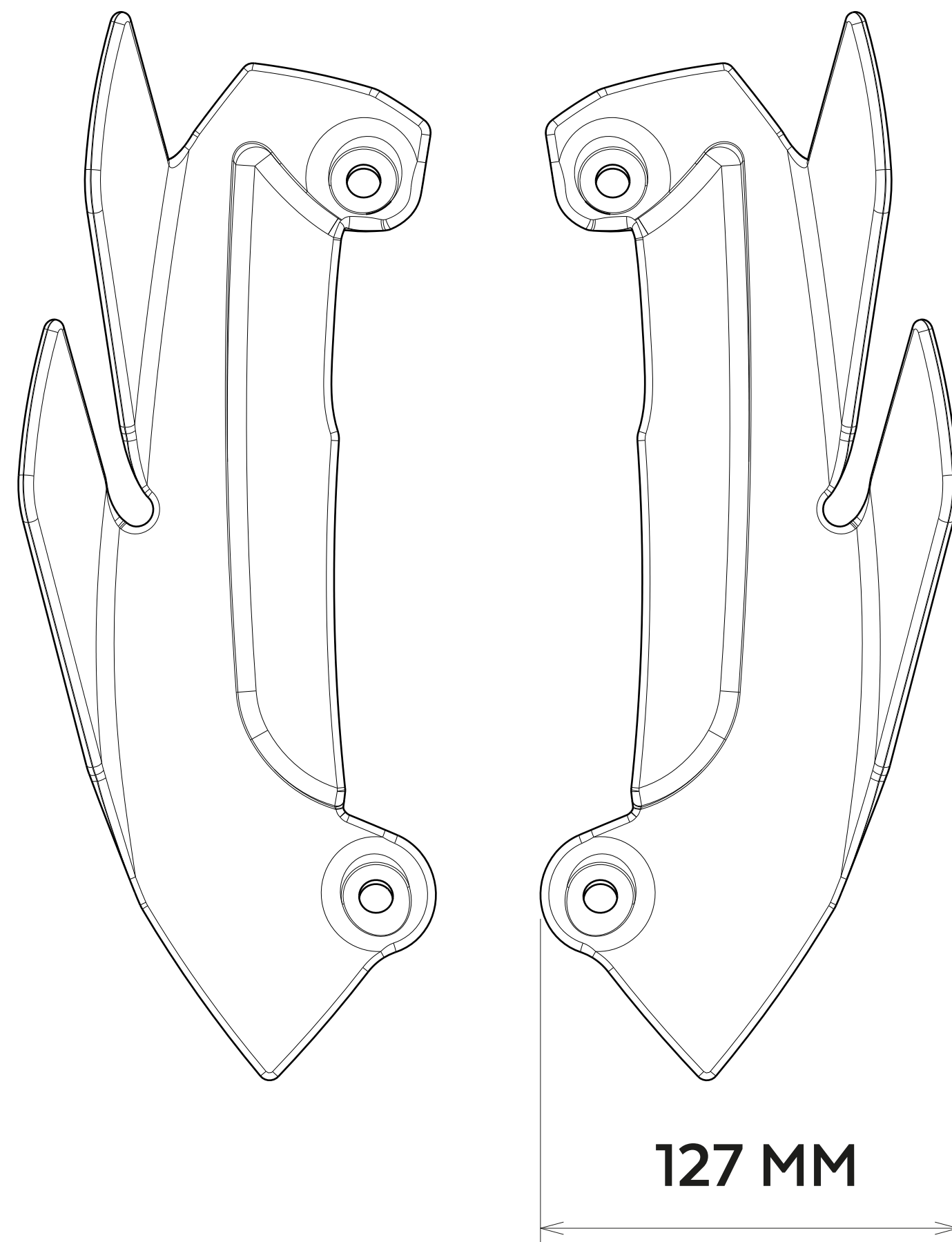
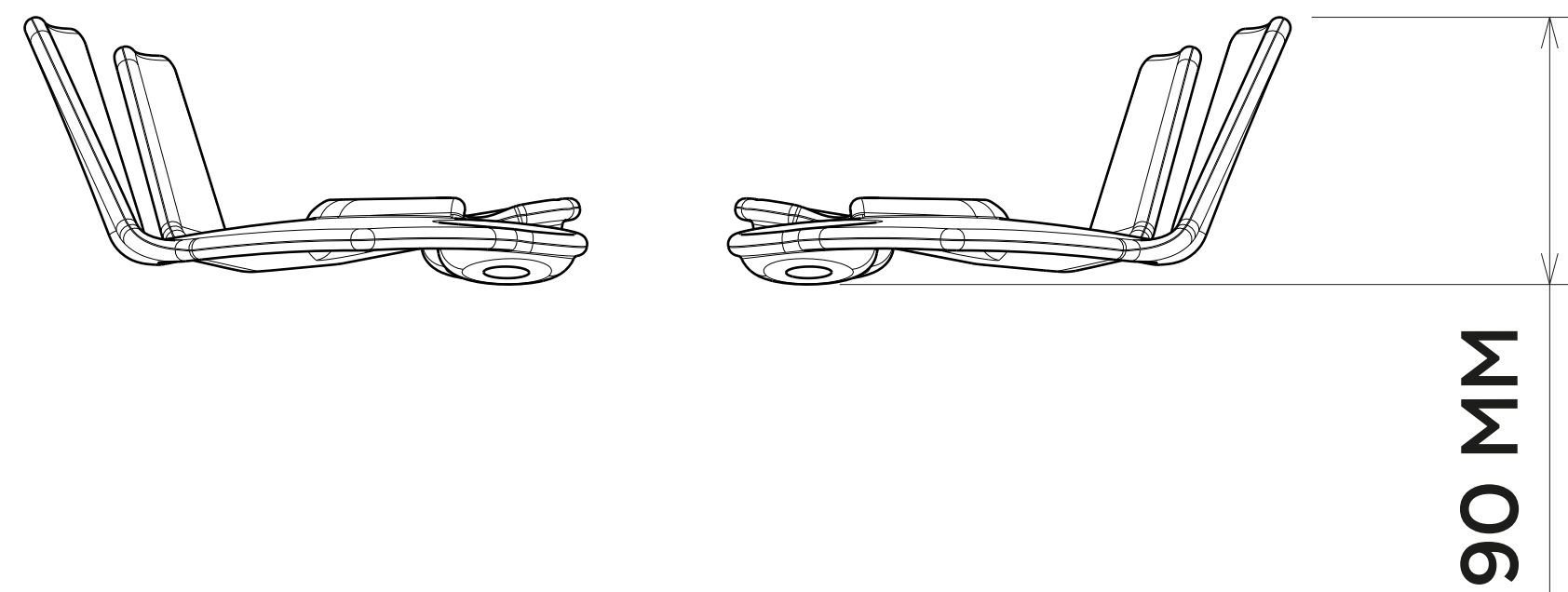
Delivers a distinctly sporty aesthetic,
directly **inspired by MotoGP**



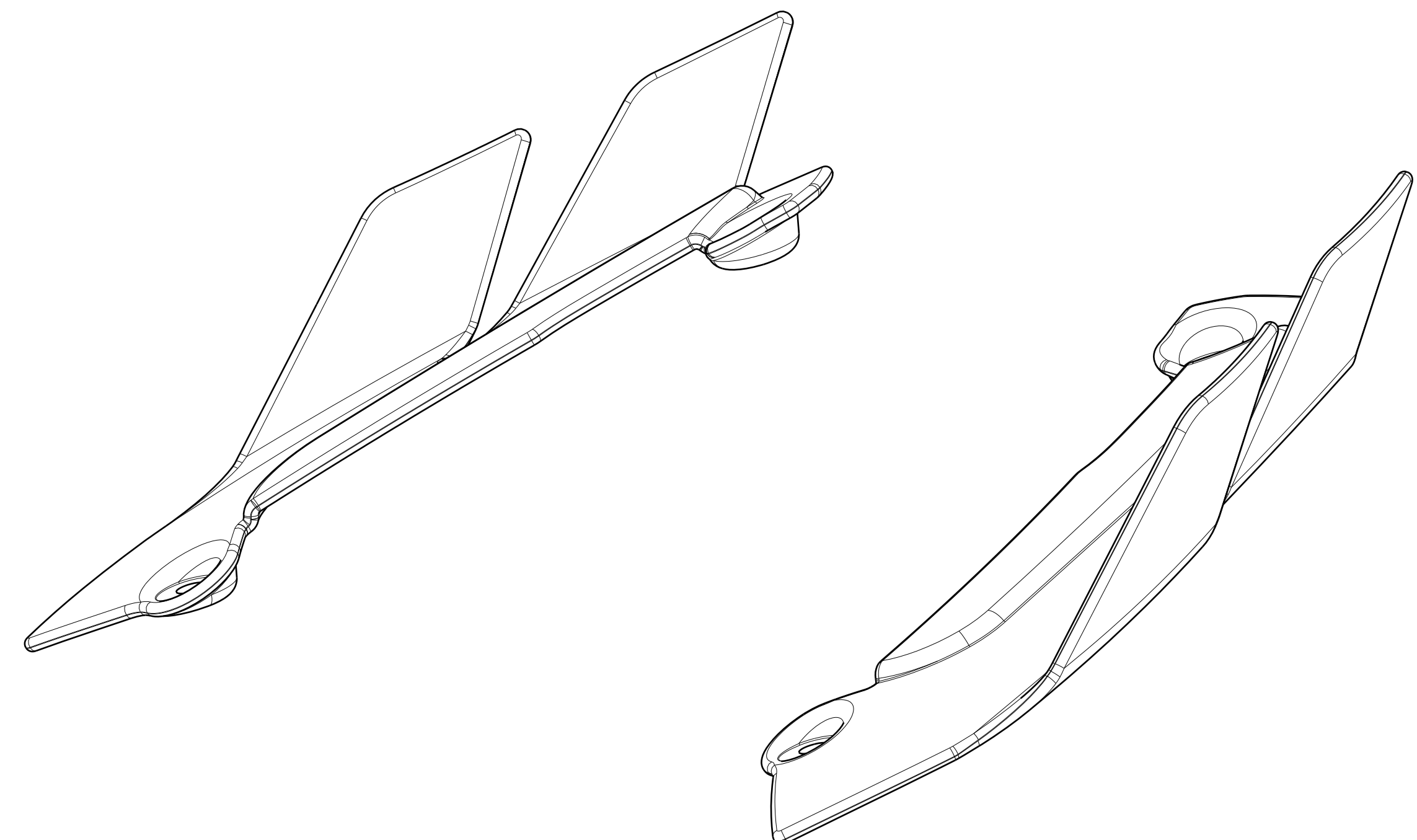
Not only enhances the design but also adds
aerodynamic value and a strong racing character

TECHNICAL FEATURES

- **MOTOGP-INSPIRED** TAIL WINGLETS DELIVERING A SHARPER, SPORT-FOCUSED AESTHETIC.
- **REPLACE THE ORIGINAL GRAB HANDLES** TO CREATE A MORE DYNAMIC AND AGGRESSIVE REAR DESIGN.
- MANUFACTURED IN **HIGH-QUALITY PMMA** AT PUIG'S BARCELONA FACILITY WITH ROUNDED SAFETY EDGES.
- **ENHANCE AERODYNAMIC** PERFORMANCE WHILE REINFORCING THE RACING CHARACTER OF THE TAIL SECTION.



**MADE IN
BARCELONA**



AVAILABLE IN:

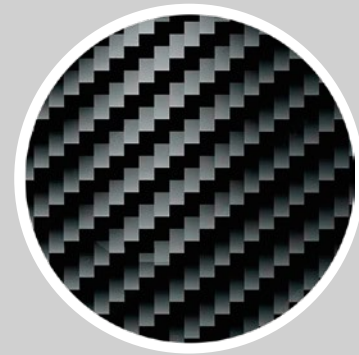
GLOSS BLACK



MATT BLACK



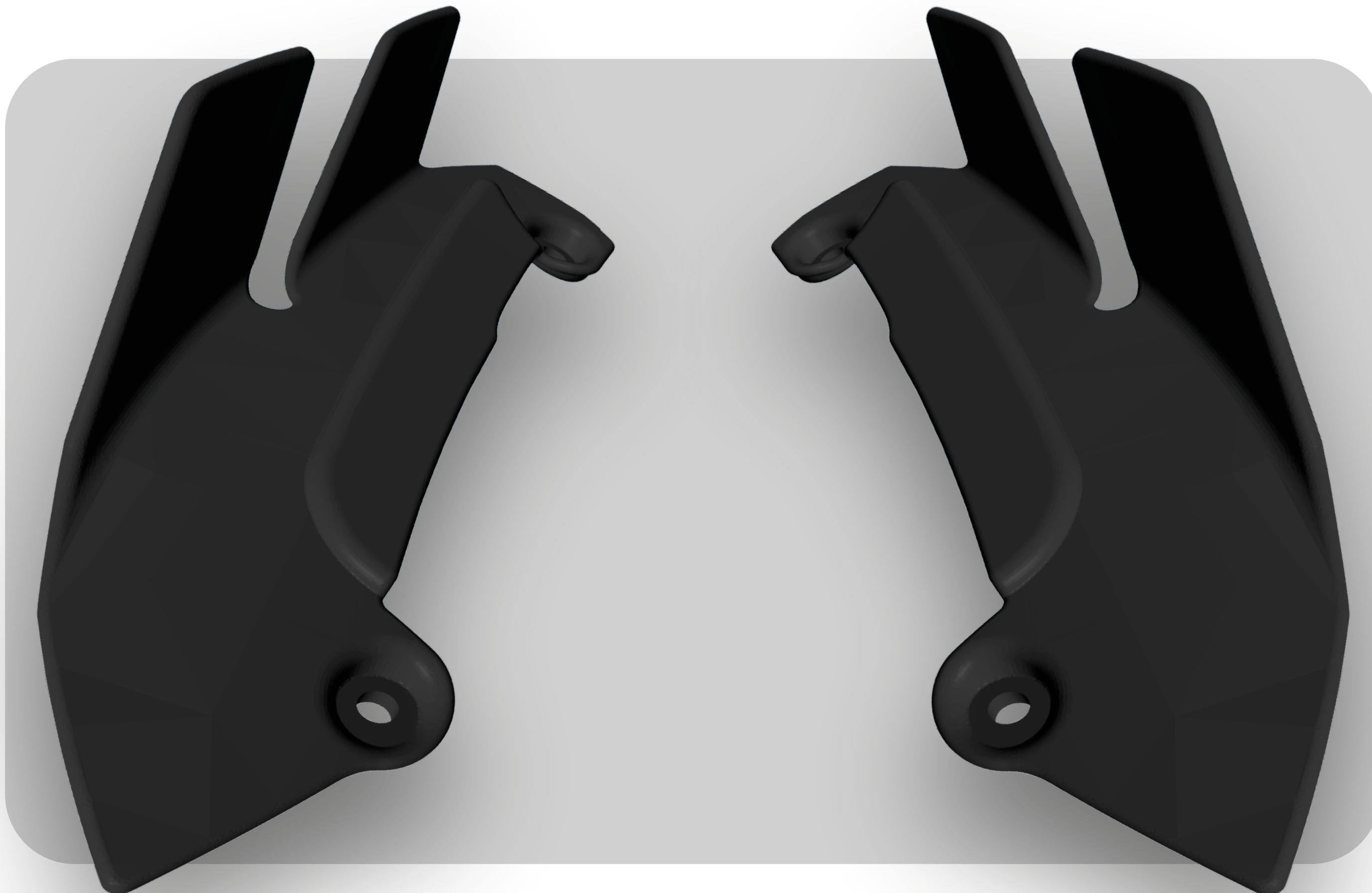
CARBON LOOK



BEFORE



AFTER



*THE REAR SEAT COWL IS SOLD SEPARATELY

