

EVOLUTION FOOTPEGS

HI-TECH PARTS



NEW!

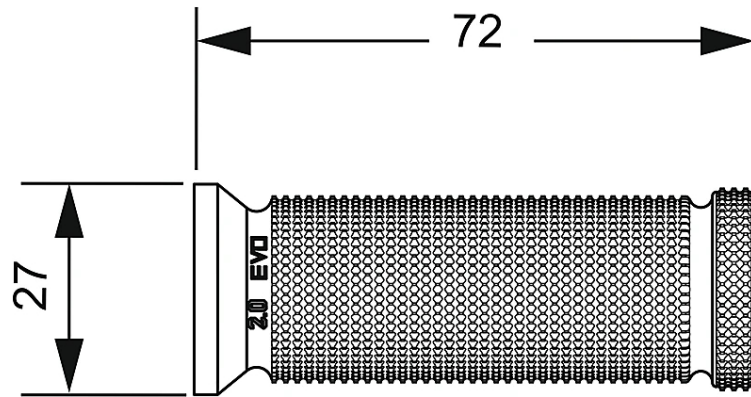
KG 90GR

SIMPLY DESIGN

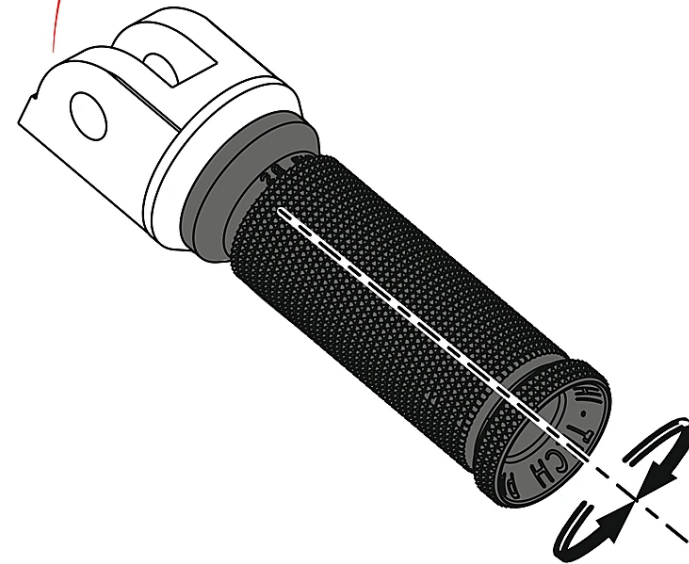


NEW VIBES

DIMENSIONS



*WITH THE PUIG FOOTPEG ADAPTERS
YOU CAN USE ANY PUIG FOOTPEGS*

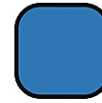


ADJUSTABLE





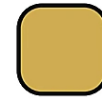
AVAILABLE IN:



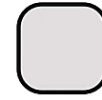
BLUE



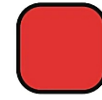
BLACK



GOLD



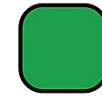
SILVER



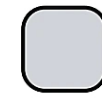
RED



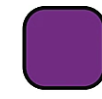
ORANGE



GREEN

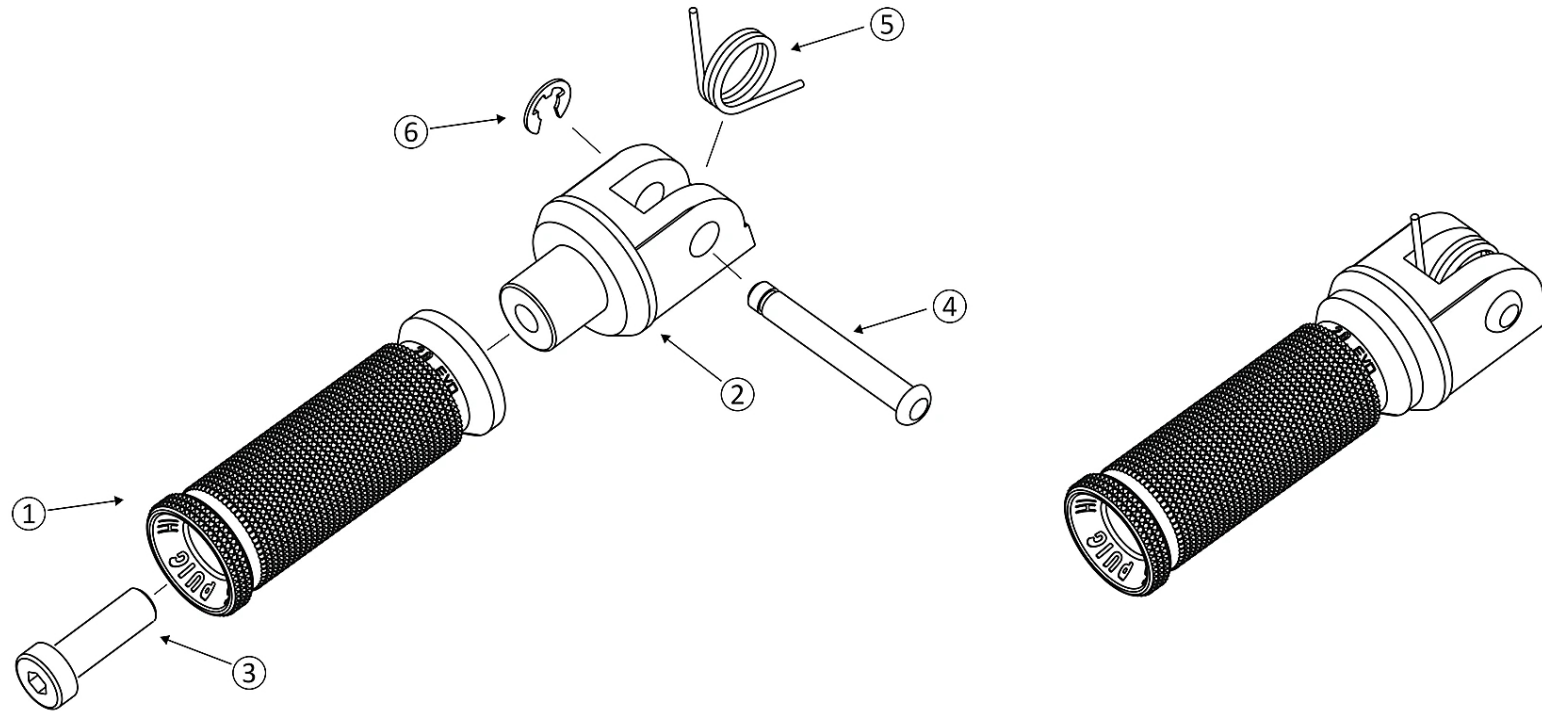


TITANIUM



PURPLE

HOW TO MOUNT THE PUIG FOOTPEGS?



Nº	PIECE
1	Footpeg
2	Adapter
3	M8 Screw
4	Axis
5	Spring
6	Circlip

First, mount the footpeg (1) in the adapter (2) by fixing the M8 screw (3).

Place the footpeg on your bike with the axis (4), the spring (5) and the circlip (6).
These axis, spring and circlip are the originals from your bike.

The adapter (2) is not included with the Puig footpegs. Please check the reference of the specific adapter for your bike on our website.

INFO@PUIG.TV
WWW.PUIGHITECHPARTS.COM

